

ZINGER

ALUMINUM DOG CRATE

ZINGER
ALUMINUM DOG CRATE

CONGRATULATIONS

You have just purchased one of the finest
Aluminum Dog Crates available.



Congratulations on your purchase of your new aluminum dog crate. Zinger™ crates have been designed and fabricated to the highest standards to provide your dog a safe and secure means of transportation and housing. If you travel by air with your dog be sure to install Zinger™ airline rails in order to conform to your airlines transportation rules. If your model did not include these airline rails you can purchase them through your retailer or call us to order direct.

Our main focus when designing these crates was that of safety. We want for pets to be safe and secure at all times. Please be sure to provide a constant source of water & proper ventilation for your dog while in the crate.

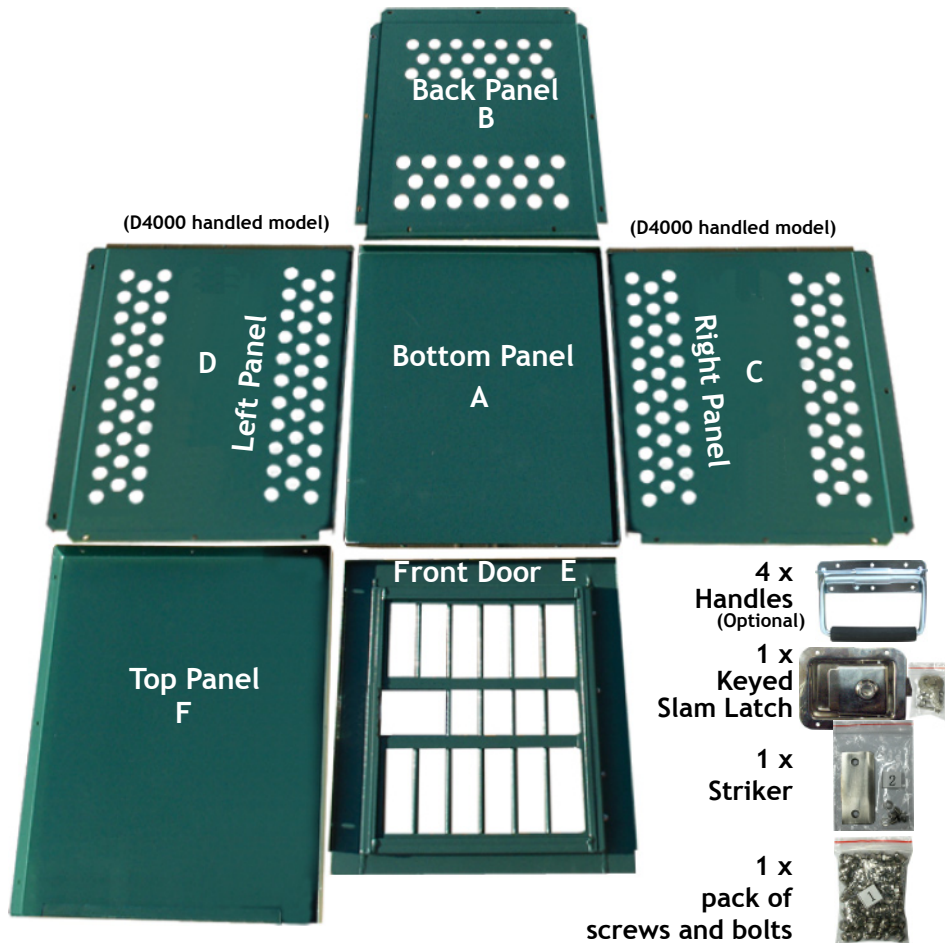
Thank you for choosing to buy a Zinger™ Aluminum dog crate and remember “If you are happy with your purchase please tell all your friends, if your not happy for any reason tell us first and we will make it right”.

Happy Training!

User Manual

Models: All Zinger Deluxe Crate

Robert Sampson
Zinger Winger Inc.



- Required:**
- Phillips Screwdriver
 - 8mm or 5/16" wrench (for acorn nuts)
 - 7mm or 9/32" wrench
 - 3/8" wrench (for locking nuts)
 - Helper

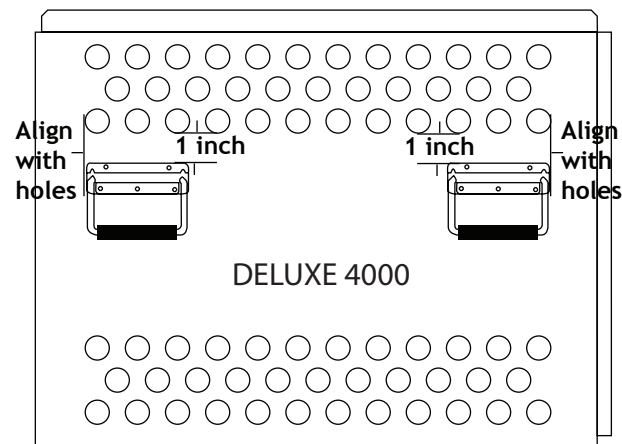
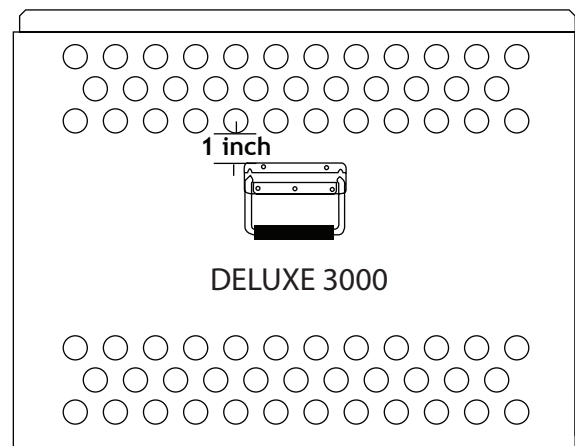
Carefully unpack and separate the contents of the box. Sort and position the panels in the configuration shown above. A helper will be needed with assembly.

IMPORTANT: You will need a helper and flat work surface to assemble the crate.

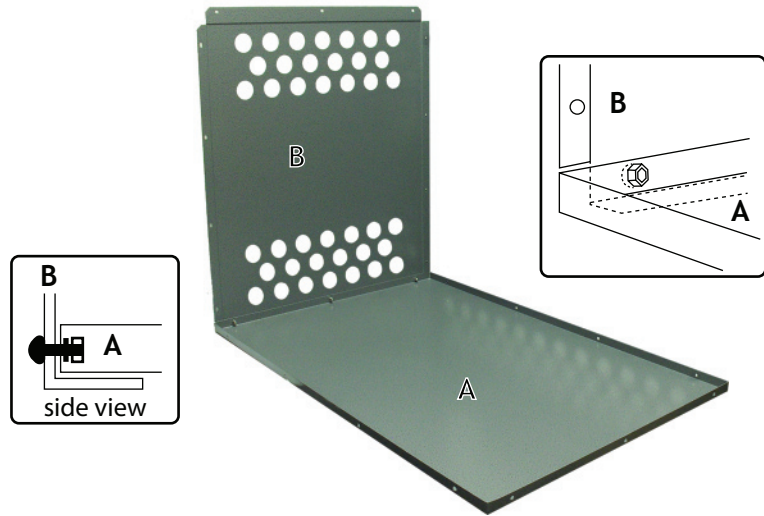
If you have ordered your crate with the optional carry handles please follow these installation instructions. You will need the following tools: Power Drill, 3/16" drill bit, Black Marker, Phillips Screwdriver and Adjustable Wrench.

Using the diagram that matches your model, position the handles on the crate, mark the location of the handles and drill the pilot holes. Install the handles using the screws and lock nuts.

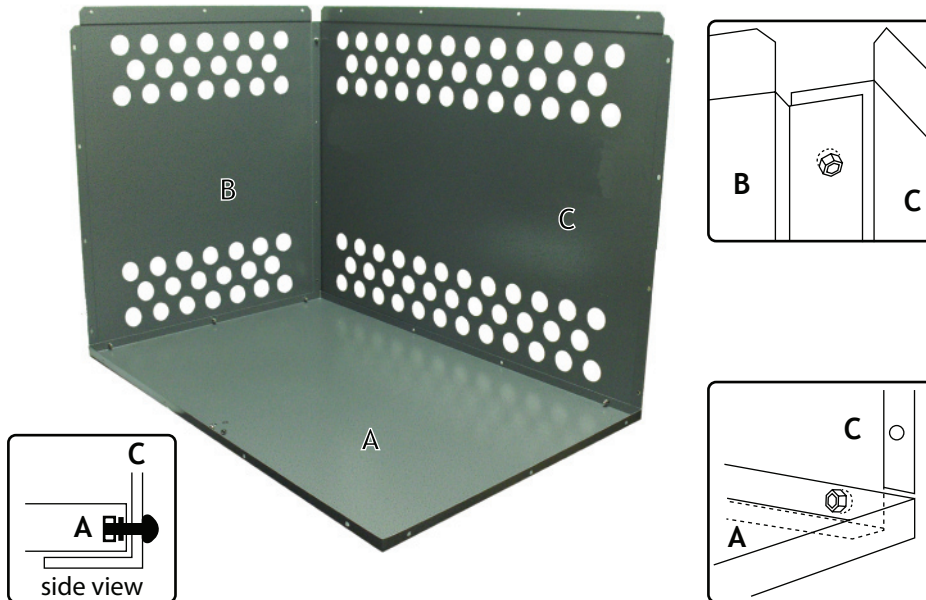
Recommendation: Position the handles as indicated and trace the drill holes using a black marker (DO NOT DRILL OUT EACH HOLE AT THIS TIME). Drill one hole to start, insert a screw thru the handle and crate wall and finger tight the lock nut. Now adjust the handle so its straight and drill out the rest of the holes.



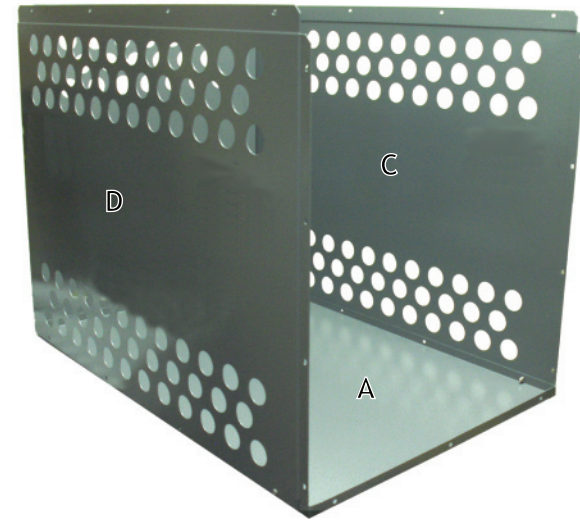
1. NOTE: IT IS IMPORTANT TO AT FIRST HAND ASSEMBLE ALL NUTS AND BOLTS BEFORE FINAL TIGHTENING. Attach back panel(B) to base panel(A) using (3) machine screws and nuts. Do not tighten nuts and bolts until the complete crate assembled.



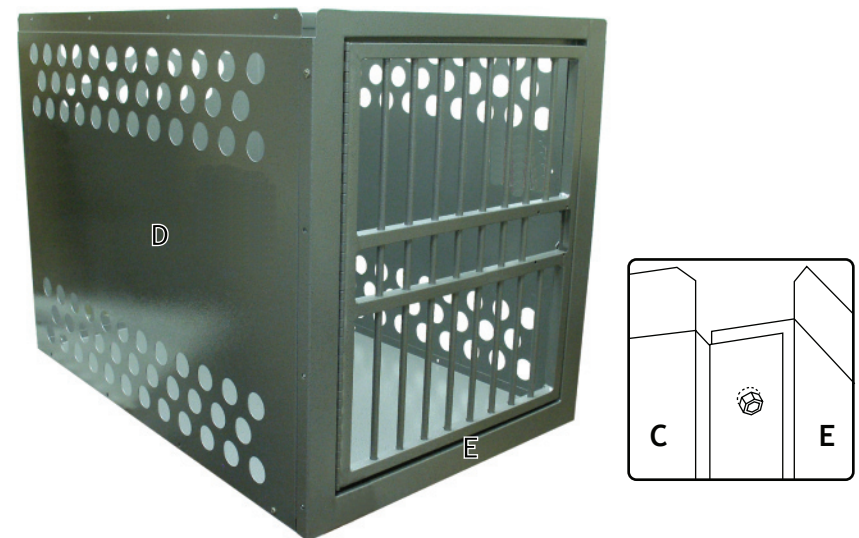
2. Position the right side panel(C) into place as shown. Align holes and insert machine screws. Hand tighten all nuts and bolts.



3. Position the left panel(D) into place as shown. Align holes and insert machine screws. Hand tighten all nuts and bolts.



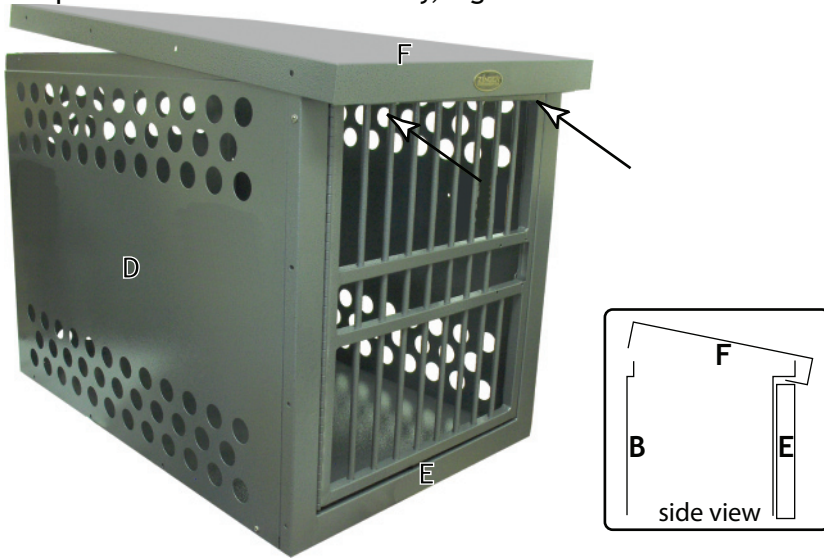
4. Set door frame(E) into place. Align holes and insert machine screws. Hand tighten all nuts and bolts.



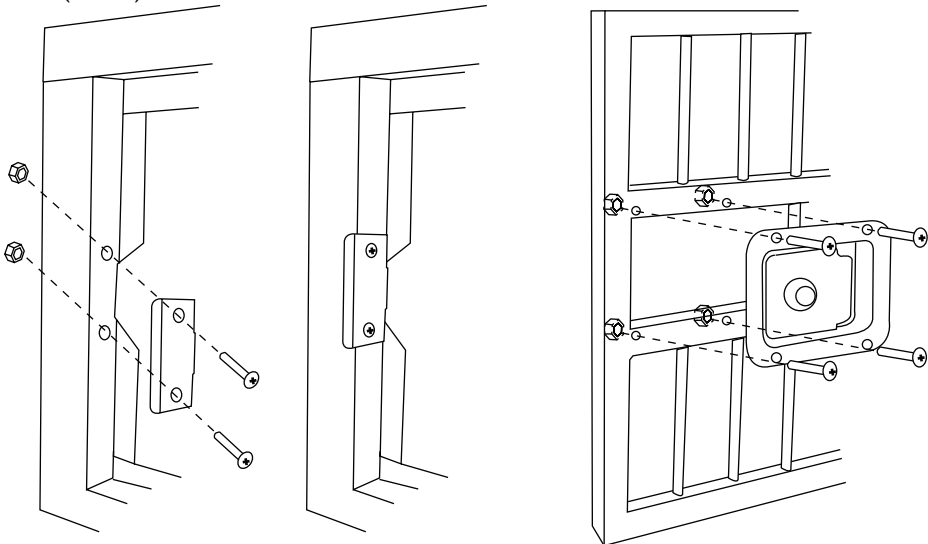
ASSEMBLY - SINGLE CRATE

ZINGER
ALUMINUM DOG CRATE

5. Slide the front edge of the top panel(F) into the upper door frame and adjust toward the back of the crate. Set the top panel into place and assemble nuts and bolts. Check the fit of the panels and the operation of the door. Finally, tighten all nuts and bolts.



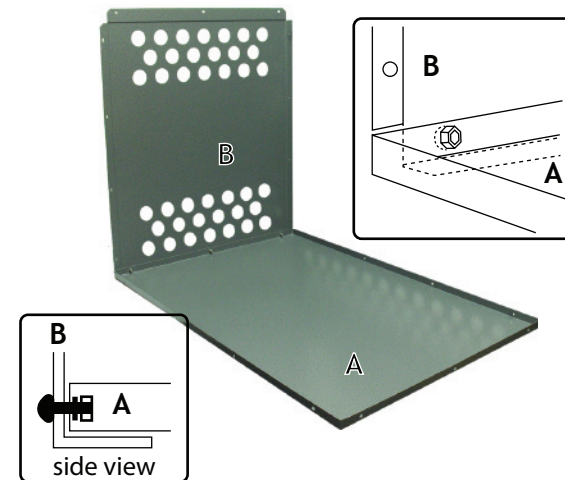
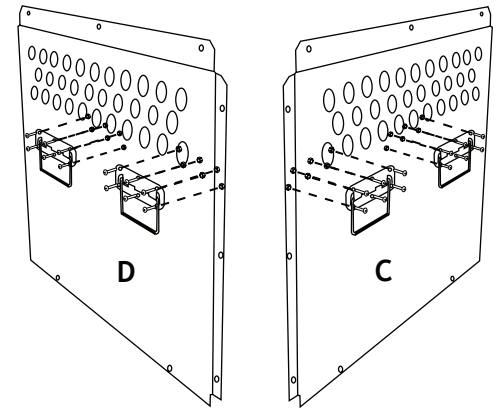
6. **INSTALLING STRIKER PLATE** - Mount striker plate to door frame, using a 8 mm - 5/16" wrench to tighten screws and nuts. **INSTALLING DOOR LATCH** - Mount door latch to barred door using a 7mm(9/32) wrench.



ASSEMBLY - MULTIPLE CRATE

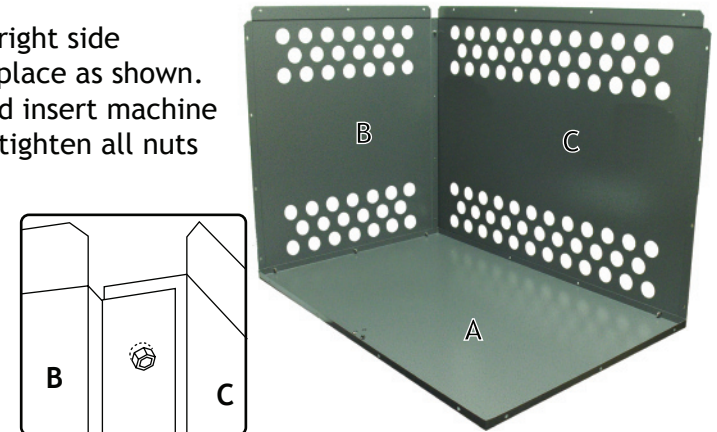
ZINGER
ALUMINUM DOG CRATE

1. **INSTALL HANDLES** (if applicable) - You will need 2 crates, 1 x crate with handles & 1 x crate without handles. Position handles accordingly (reference to page 4) on left (D) and right (C) panel, insert 4 machine screws thru each handle, secure with locking nuts.

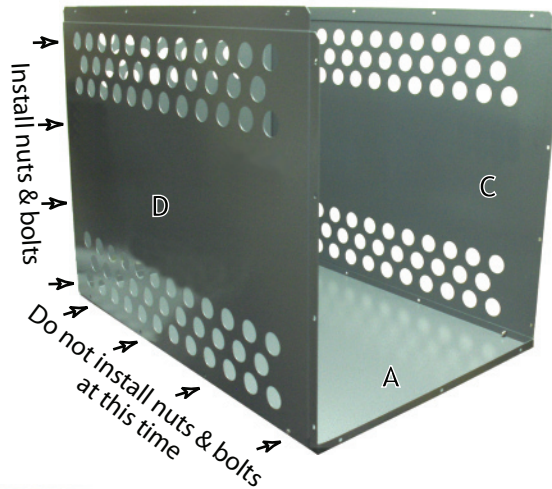


2. **NOTE: IT IS IMPORTANT TO AT FIRST HAND ASSEMBLE ALL NUTS AND BOLTS BEFORE FINAL TIGHTENING.** Attach back panel (B) to base panel (A) using (3) machine screws and nuts. Do not tighten nuts and bolts until the complete crate assembled.

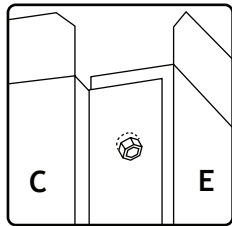
3. Position the right side panel (C) into place as shown. Align holes and insert machine screws. Hand tighten all nuts and bolts.



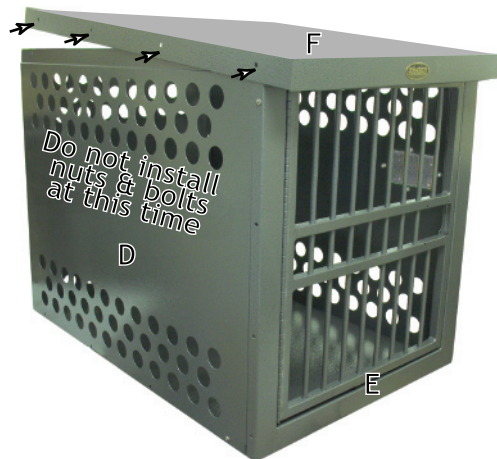
4. Assemble panel D (with no handles) to panels B and A. Only install the nuts & bolts to the rear of panel B.



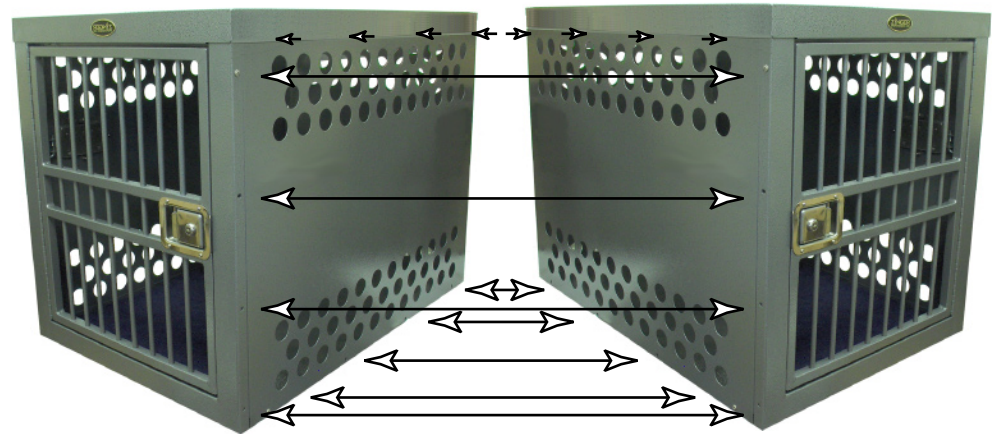
5. Align holes & insert machine screws along panel E & C. Do not install nuts & bolts along panel E & D until both crates are combined together.



6. Slide the front edge of the top panel(F) into the upper door frame and adjust toward the back of the crate. Set the top panel into place and assemble nuts and bolts. Do not install nuts & bolts along Panel D & F until both crates are combined together.



7. Repeat steps 1 thru 6 with second crate. Keep in mind the second crate is a "mirror image" of the first. The trick is to imagine the 2 crates being coupled together in the middle. Connect both crates side by side using 12 x 1/2" machine screws. Check the fit of the panels and the operation of the doors. Finally, tighten all nuts and bolts.



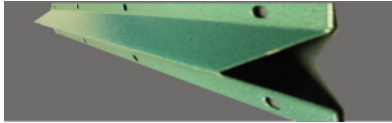
Use (12) 10-32 x 1/2" machine screws to combine crates

8. **INSTALLING AIRLINE RAILS (optional)** - If you plan on traveling with your pet by air you will need to install Zinger™ airline rails on your crate. If your model did not include AIRLINE RAILS, you can order them by calling 1-800-351-8411.

Position the AIRLINE RAILS just below the handles (as shown), mark and drill hole locations using a 3/16" drill bit. Assemble using (16) 10-32 x 1/2" Pan Head machine screws and lock nuts (Not included).



Predrill holes to attach Airline Rail in the middle



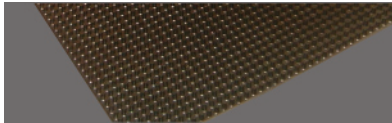
Airline Approved Rails
For extra protection needed in an Airline Approved Kennel



Handles - Stainless Steel
Stainless Steel Handles allow for easy carrying of your crate



Slam Latch- Stainless Steel
Locking Slam Latch provides security of your pet and piece of mind



Grooming/ Crate Mat
Non slip pebbled rubber mat. Allows you to use the top of your crate as a grooming table



Raised Crate Flooring
Keeps your dog high and dry off the kennel floor.



Aluminum Dolly
Travel your crate with less effort



Crate Cover
Kennel Jacket protection from rain, snow, wind and the sun

SAFETY & CARE MAINTENANCE

Ensure your pet is not left in closed vehicle. Provide a constant source of water & proper ventilation for your dog at all times.

SERVICE - DO NOT RETURN TO YOUR RETAILER

If you require help in assembling your Zinger Aluminum Dog Crate please call 1-800-351-8411 for assistance. The Zinger Winger Inc. will repair or replace at our option defective parts and material.

PRODUCT WARRANTY

The Zinger Winger Inc. warrants that all hardware, powder coating and structural panel components shall remain in good operational and structural condition for a period of one year from the date of purchase.

Any defect, or malfunction, which has occurred because of unreasonable handling, improper application or failure to perform necessary maintenance will result in voiding this warranty.

Any Zinger Crates or part of the Crates that has been modified by any person other than a suitably authorized representative of the Zinger Winger Inc. will result in voiding this warranty.

Zinger Winger Inc. liability is limited to repair or replacement of any affected parts FOB factory. Zinger Winger Inc. will not be responsible for any charges related to shipping, duties, or brokerage fees. Zinger Winger Inc. reserves the right to discontinue or change parts and products of current manufactured models.



TO ORDER: 1-800-351-8411 FAX: 1-905-876-3360

WWW.ZINGERWINGER.COM

Published by Zinger Winger Company

264 Bronte St. South #13, Milton, Ontario L9T 5A3 Canada